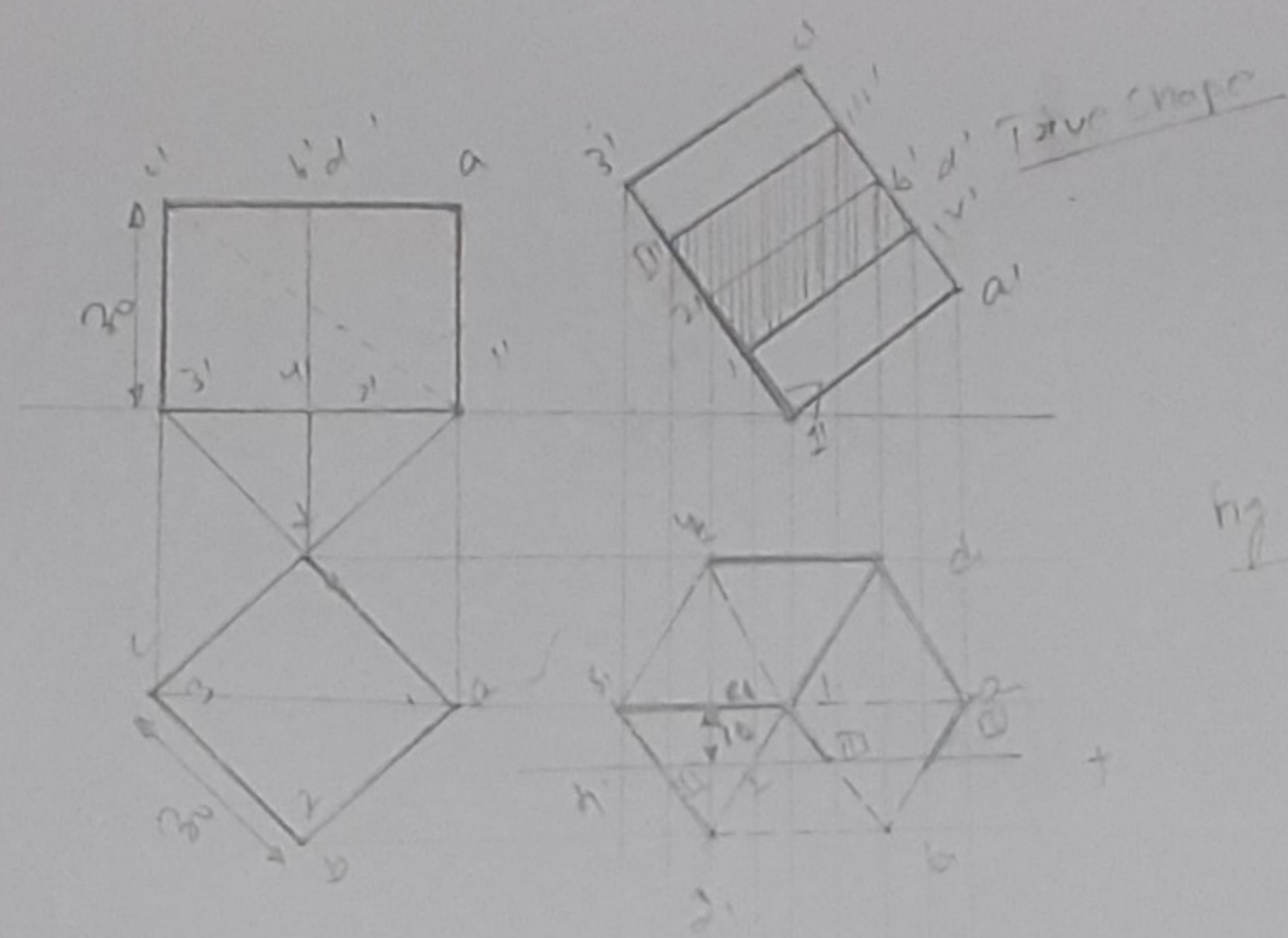
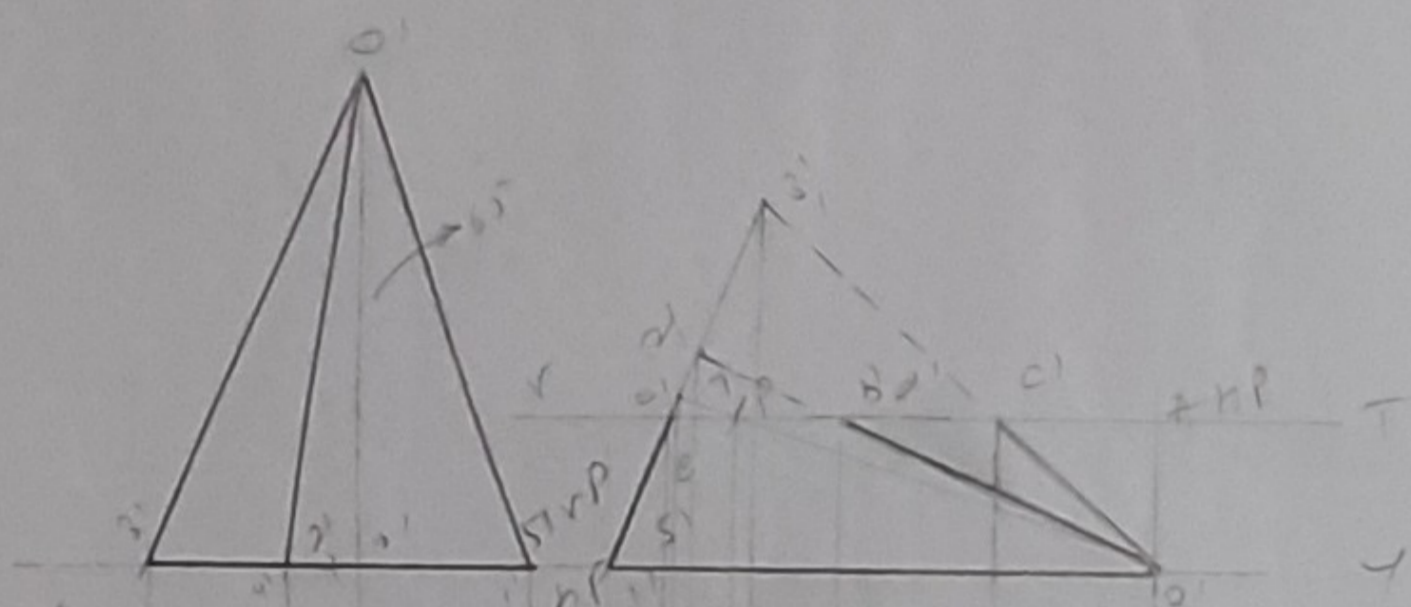


142



True shape

fig 14.10



144

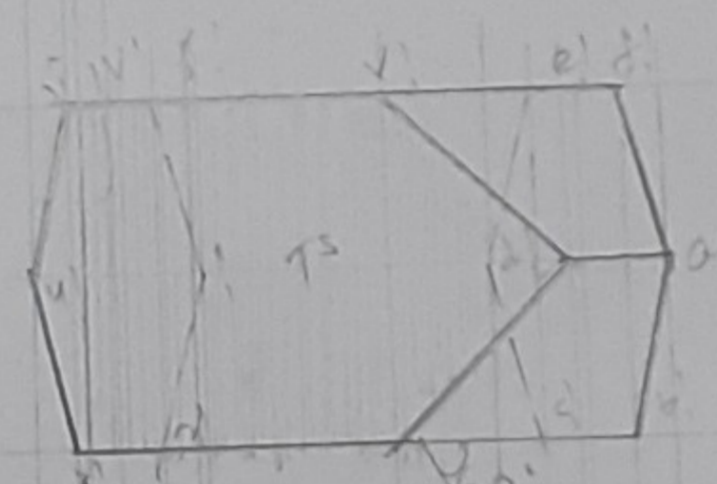
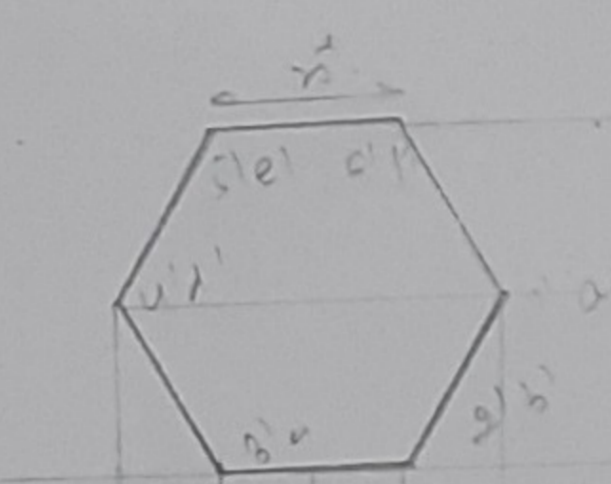
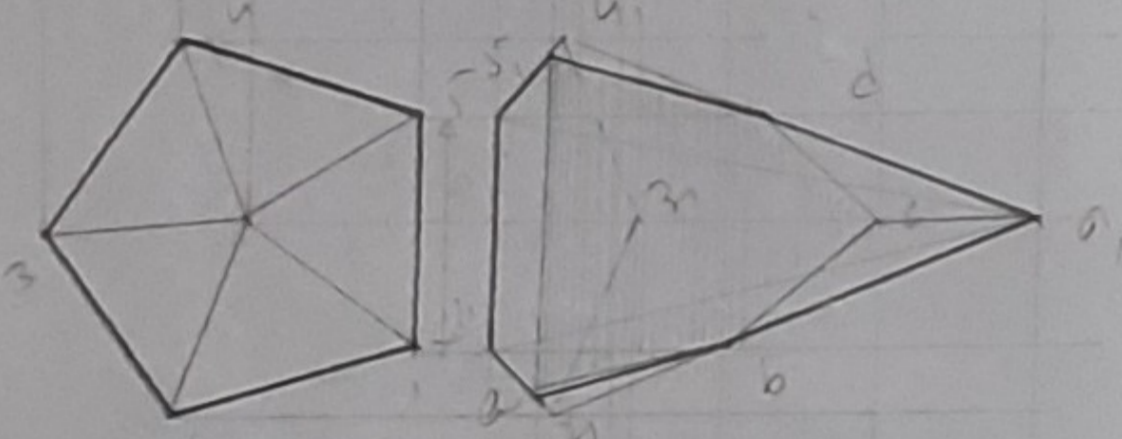
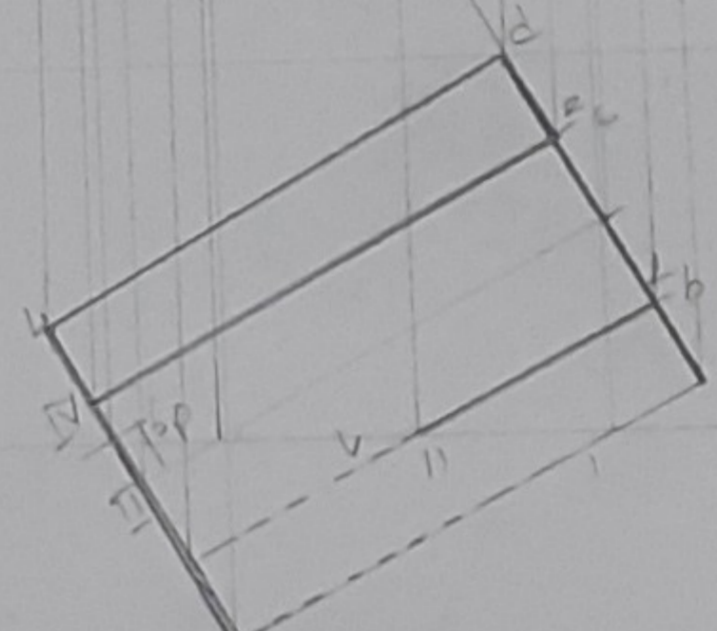
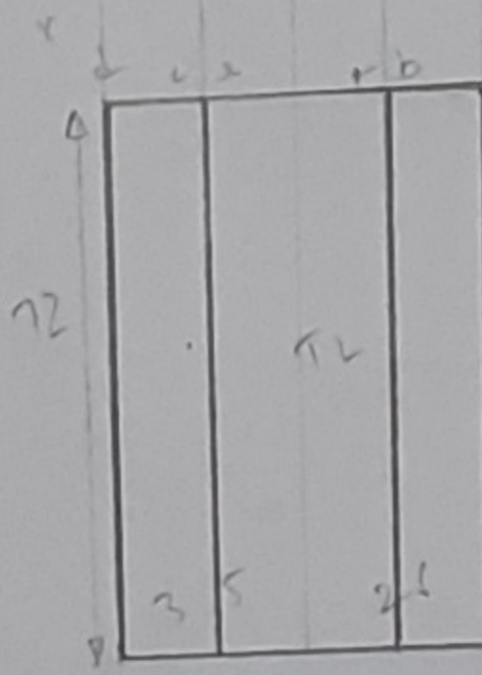
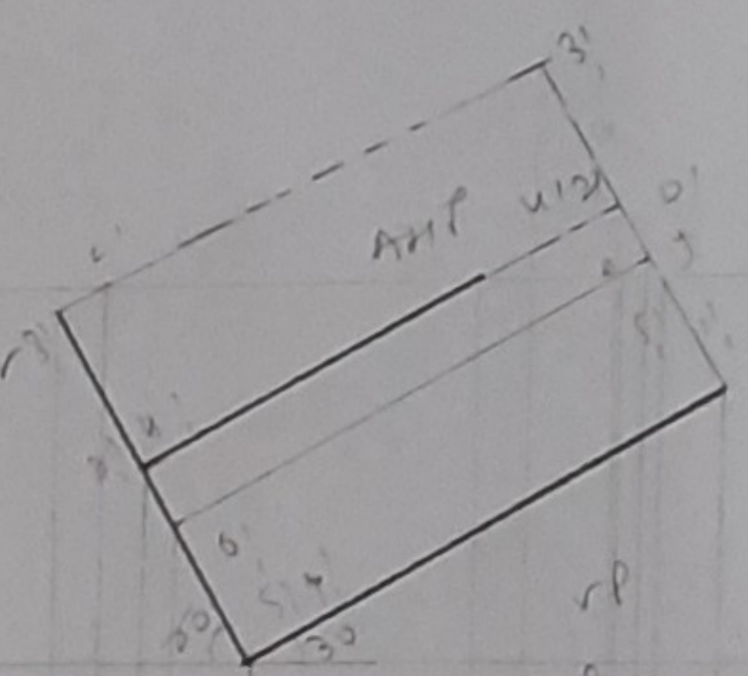
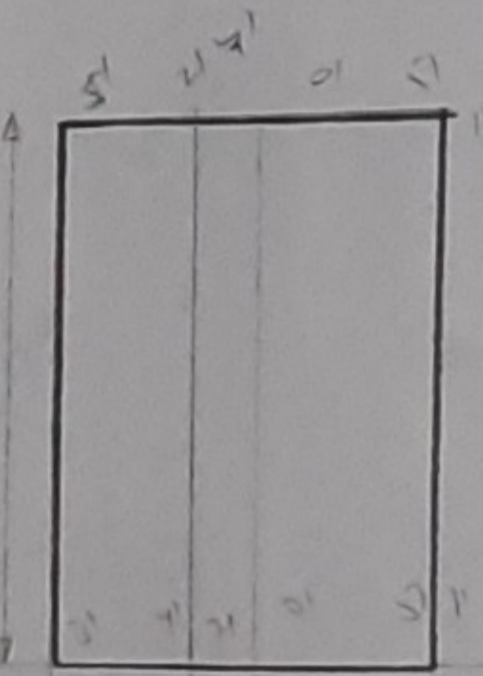


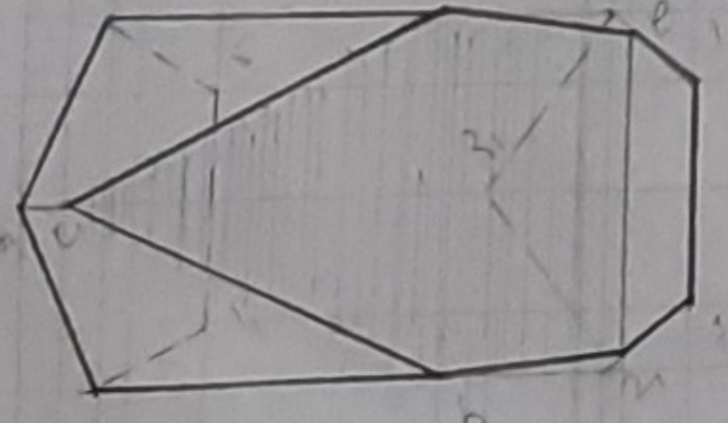
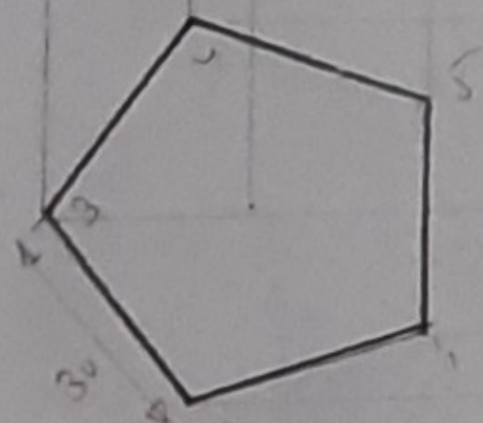
fig 14.11



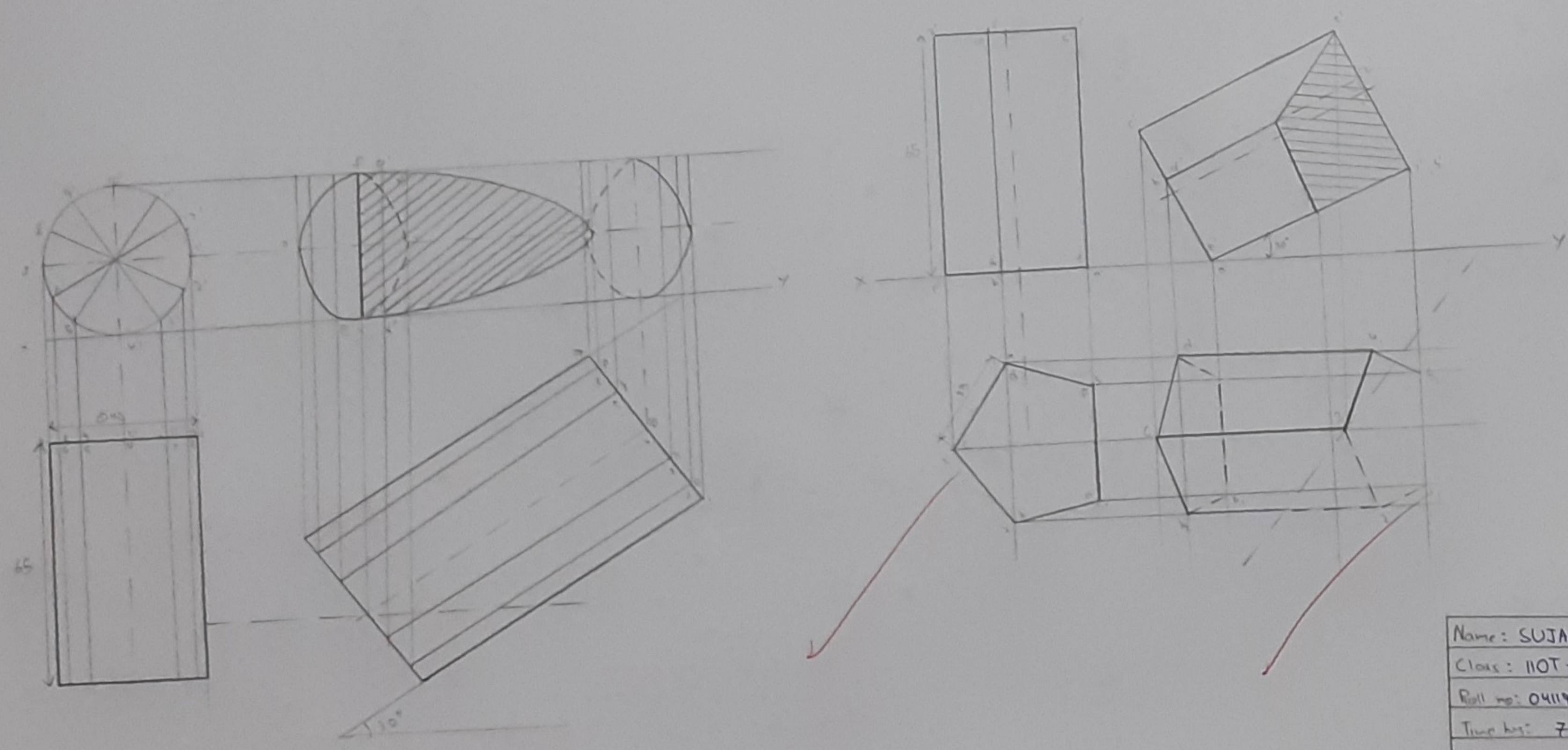
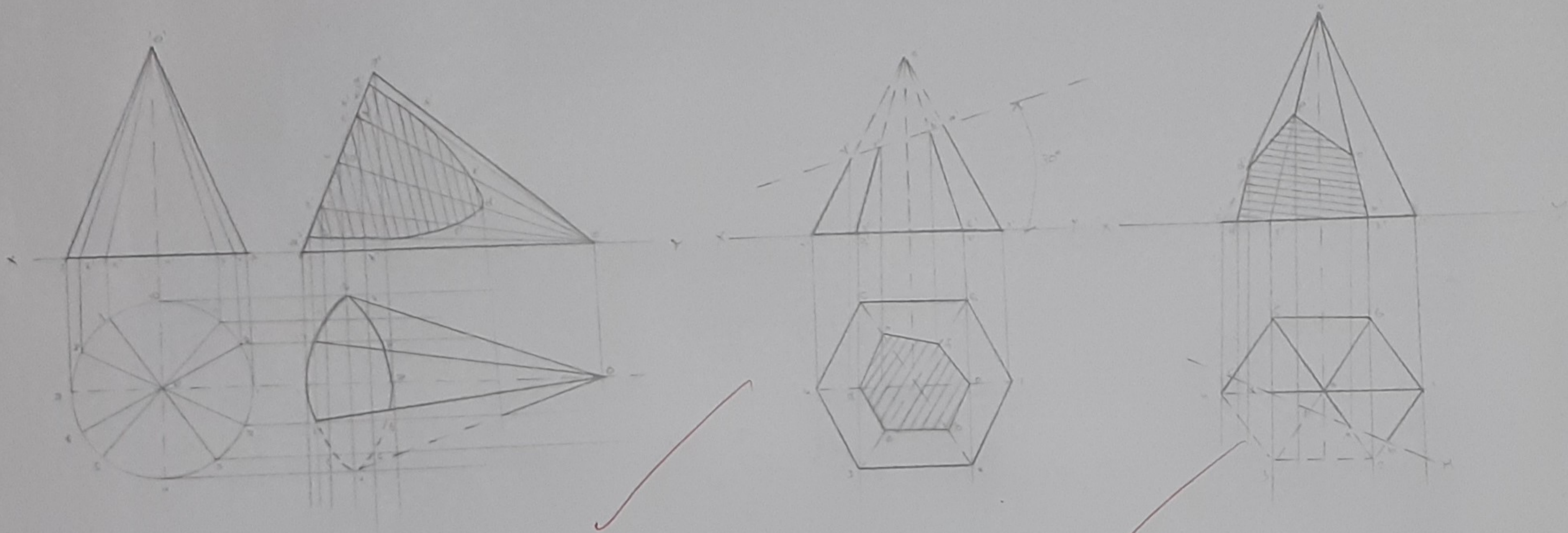
BT
Purp R
13/2/24



146

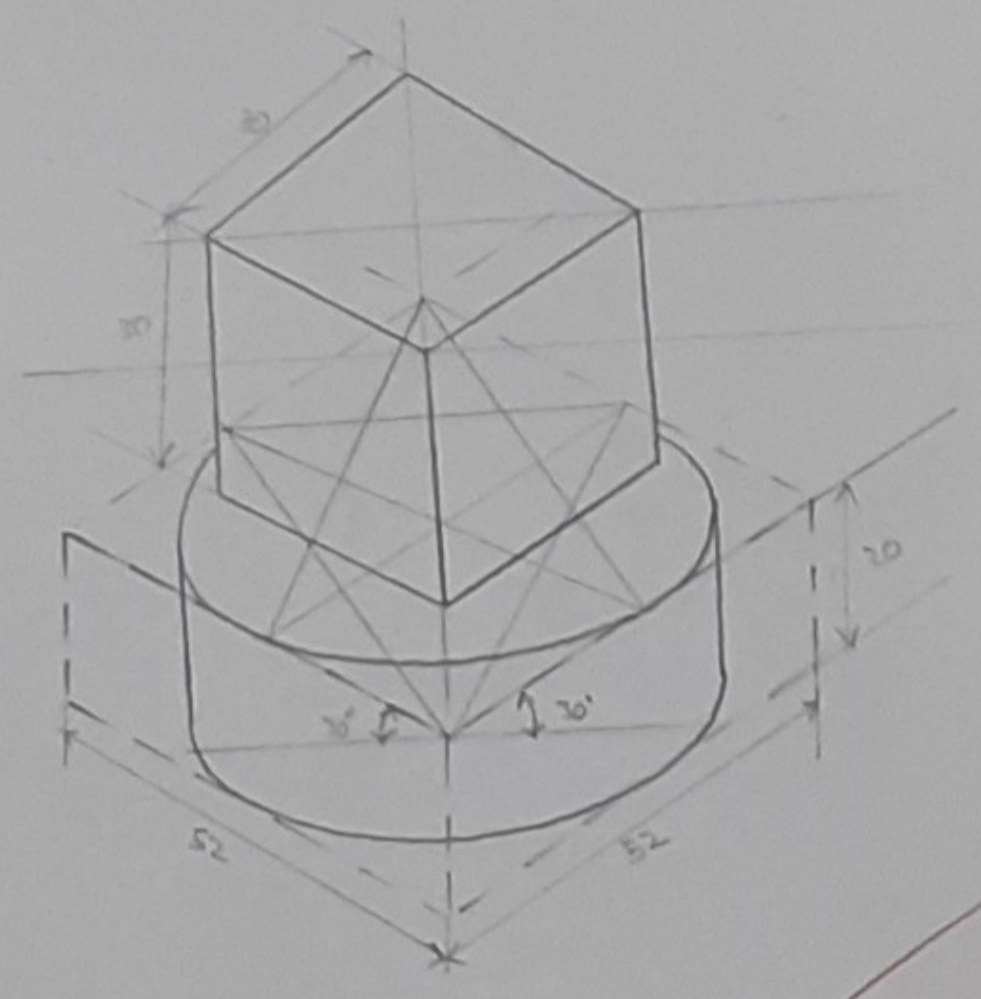
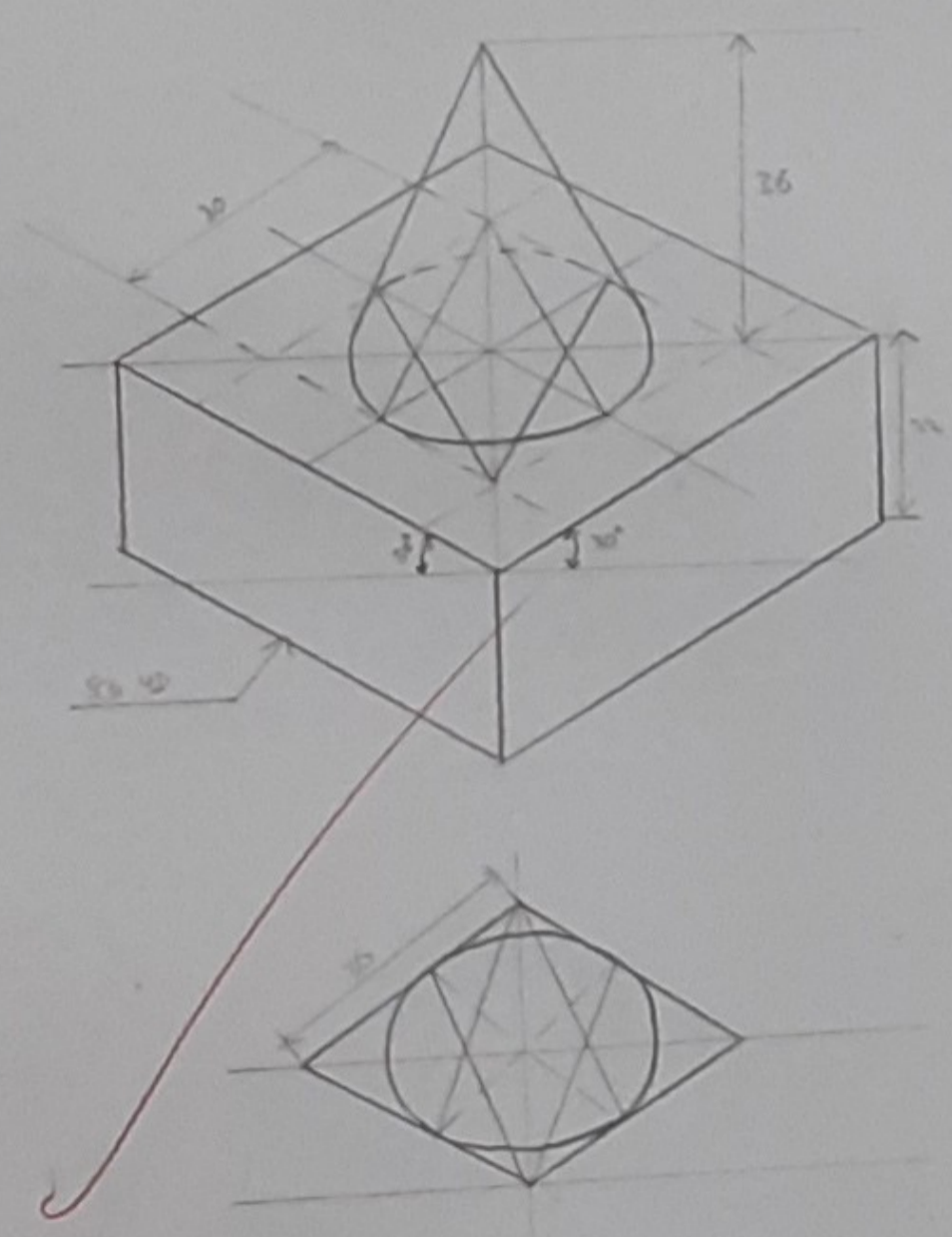
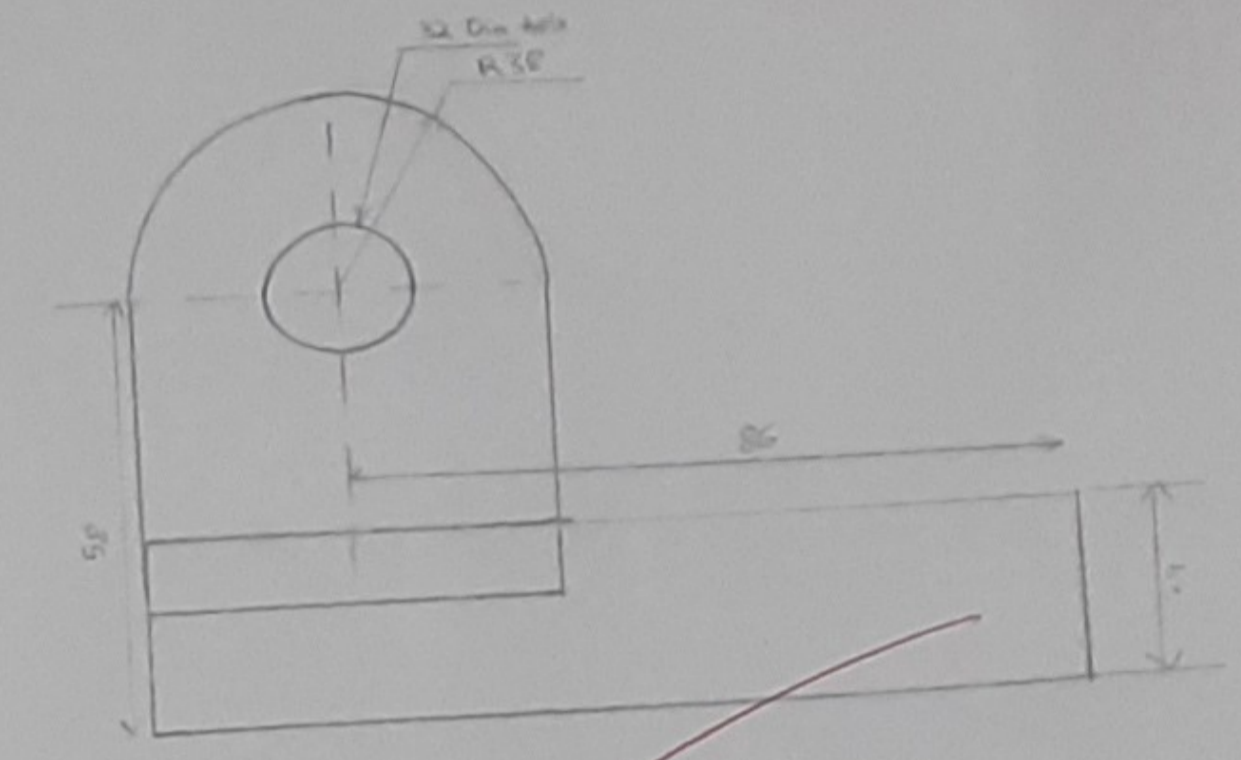
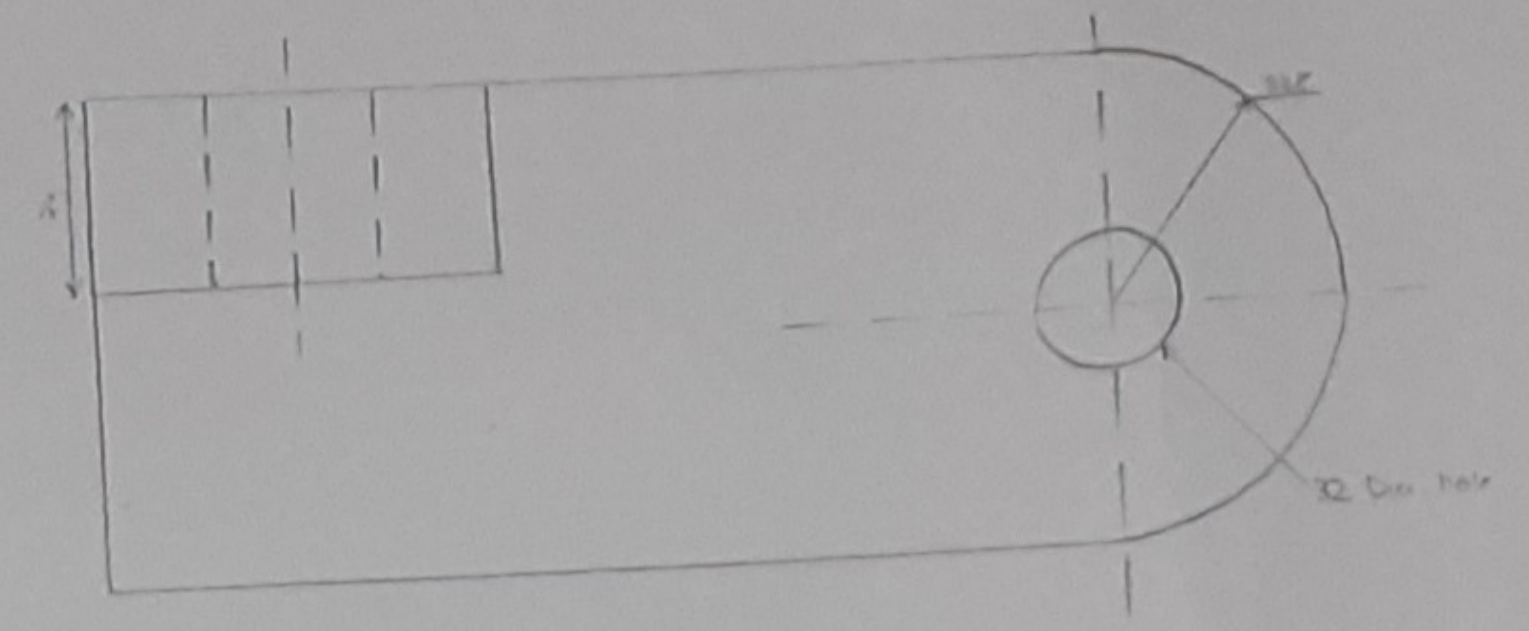
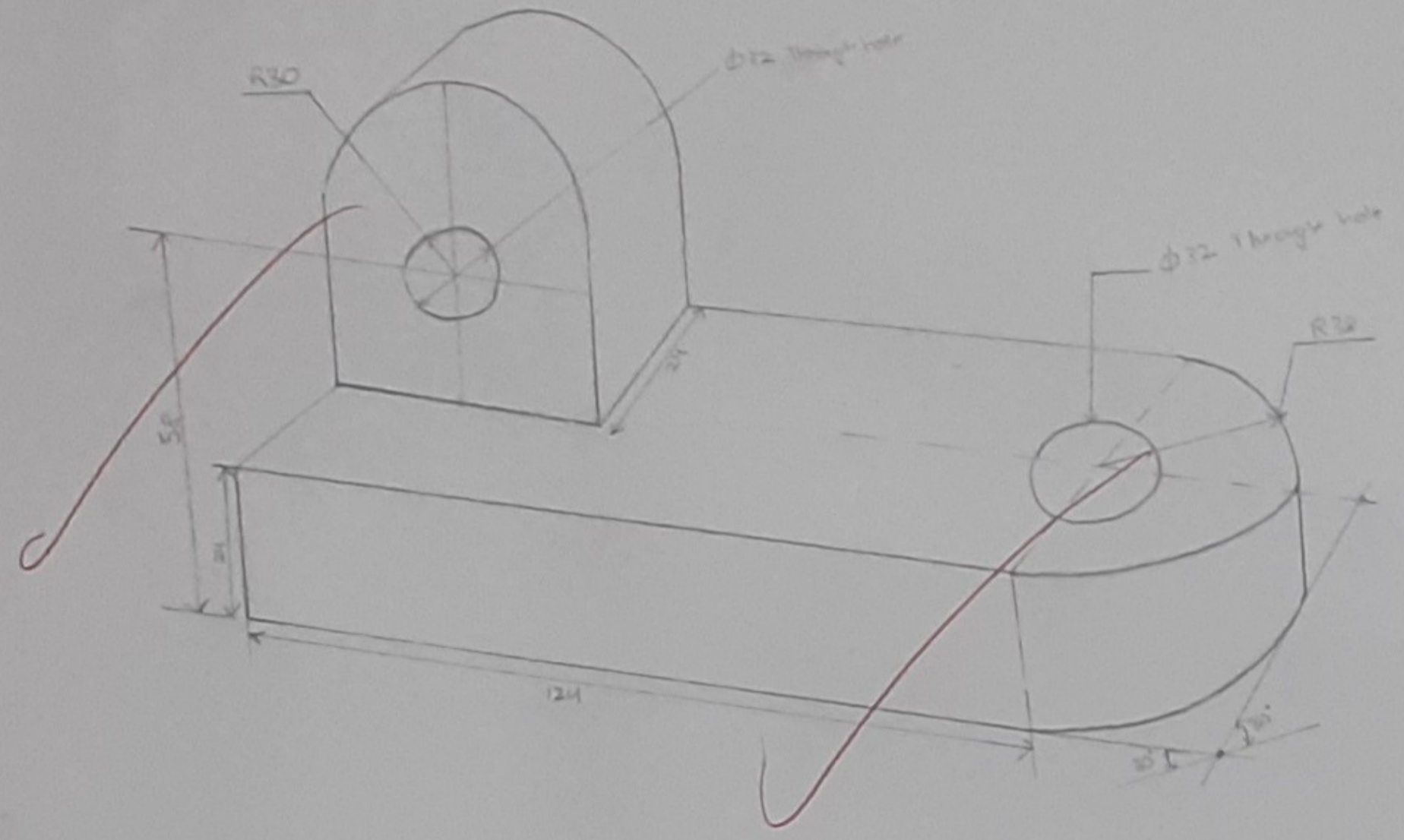
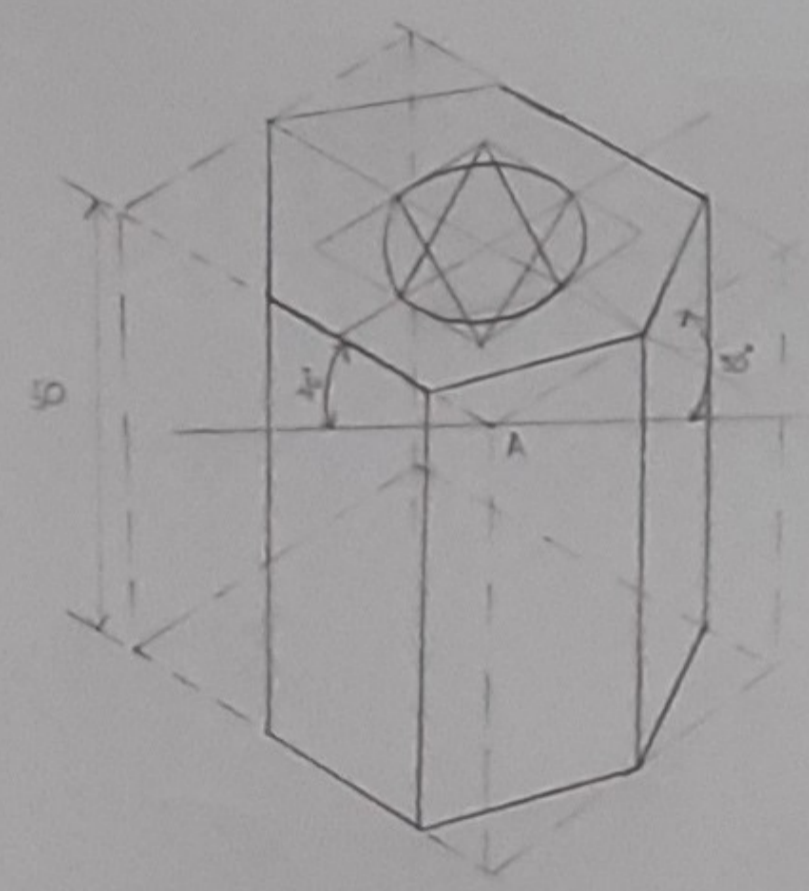
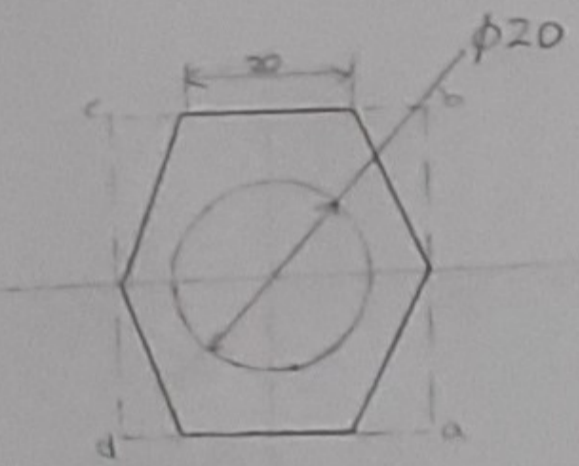
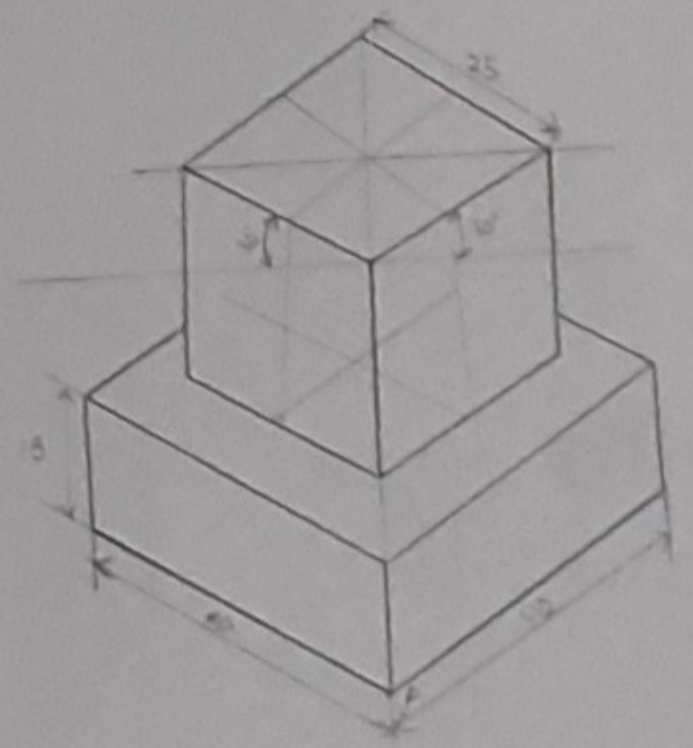


Name :- SUJAL SIMON	lt. b. S. I. P. U. E. D. C.
Class :- IIOT-B1	
Roll No :- 0411905123	
Time hrs :- 7 hrs	Section of Solids
Scale :-	Inside :-
Sheet No :- 1	Checked by :-



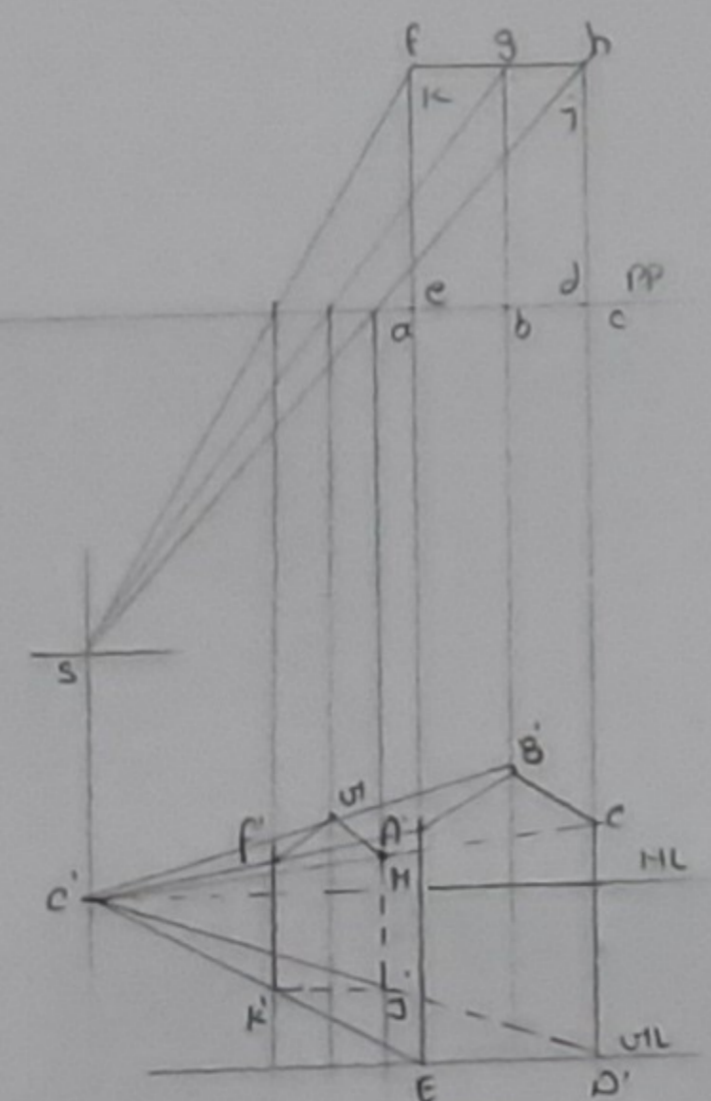
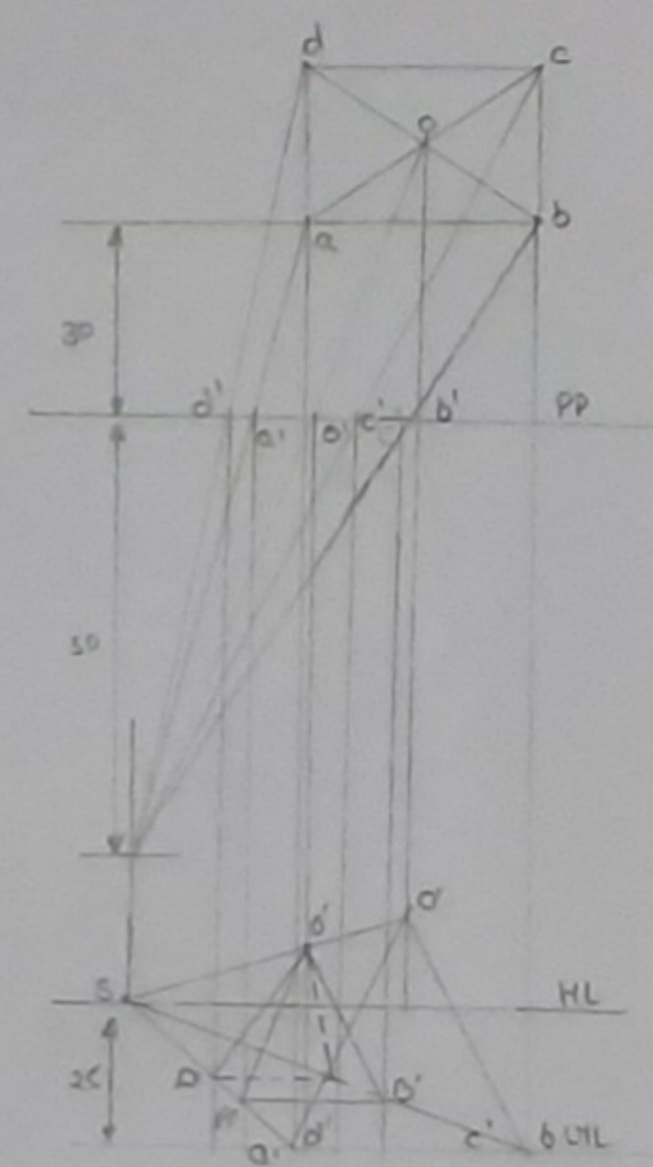
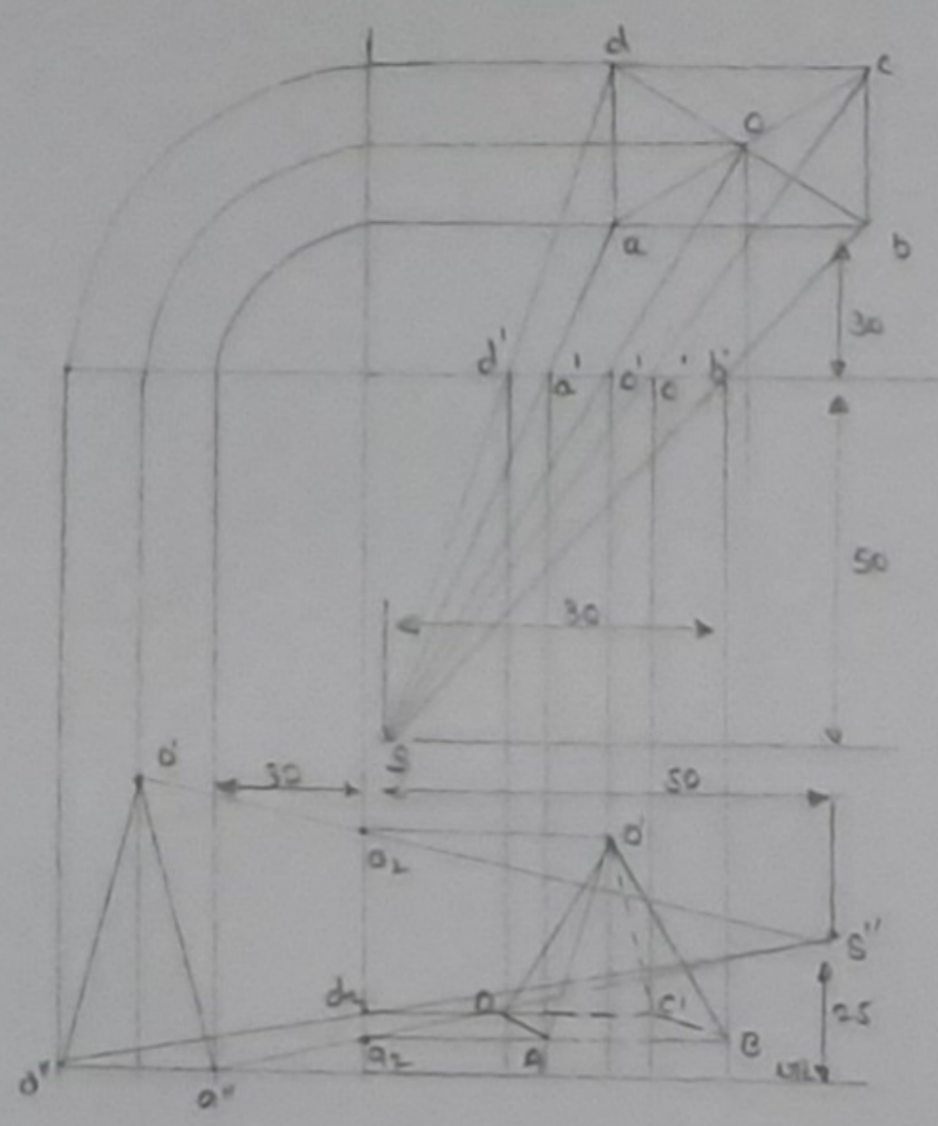
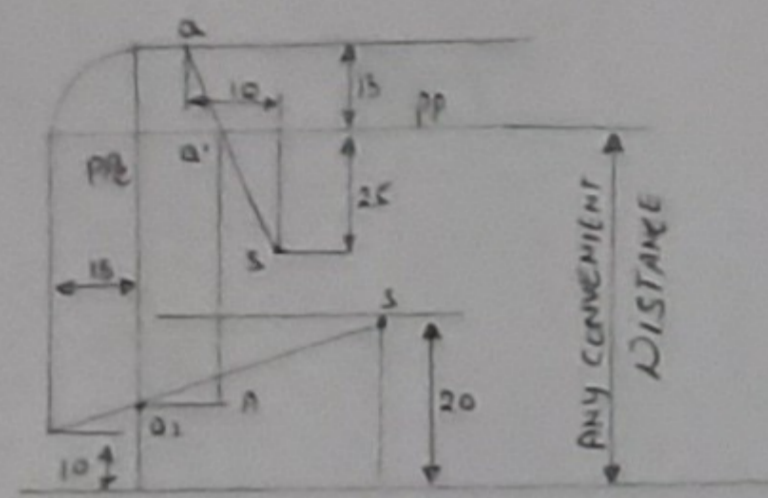
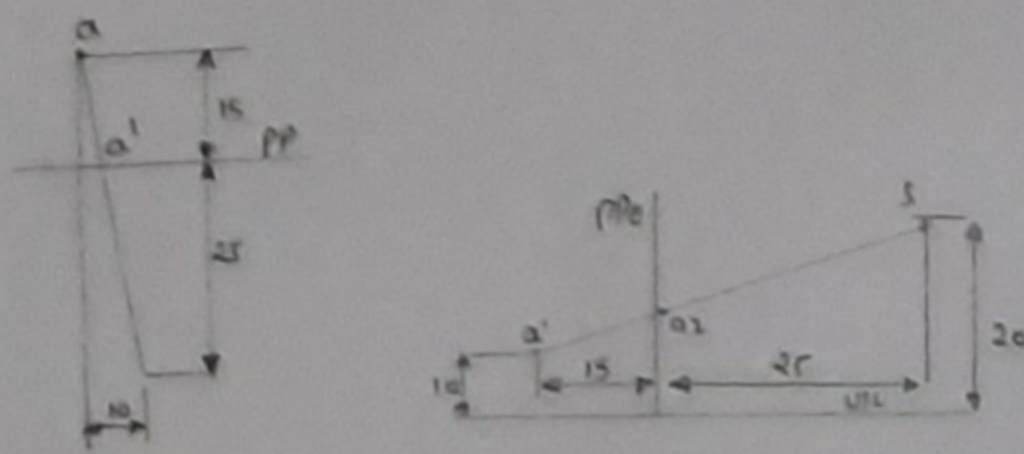
2
Part B
16/4/24

Name: SUJAL SINGH	G.G.S.I.P.U. EDC.	
Class: IIOT-B1	SECTIONS OF SOLIDS	Date: _____
Roll no: 04119051723		
Time hrs: 7 hrs	Checked by: _____	_____
Scale: mm		
Sheet no: 2		



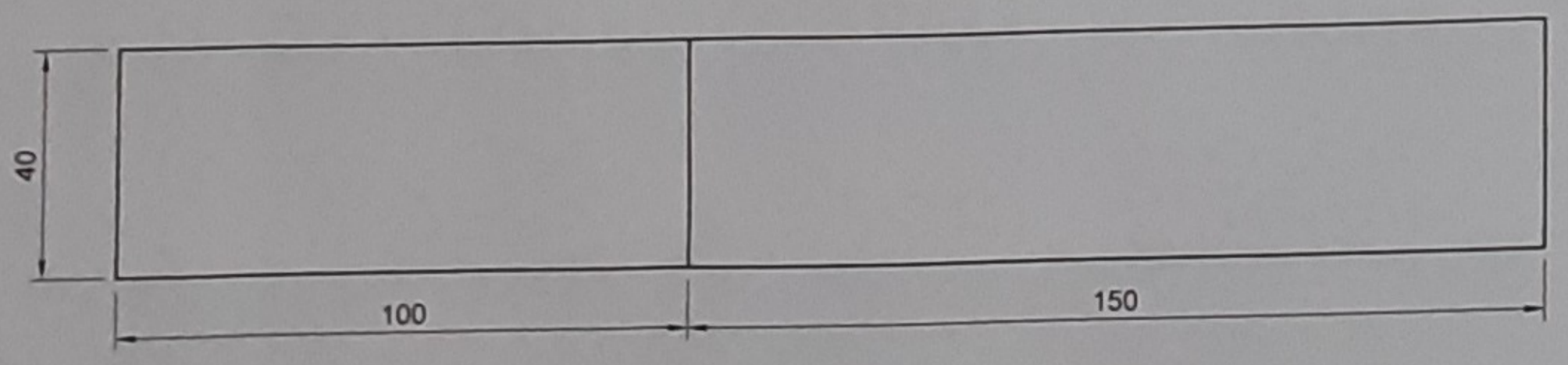
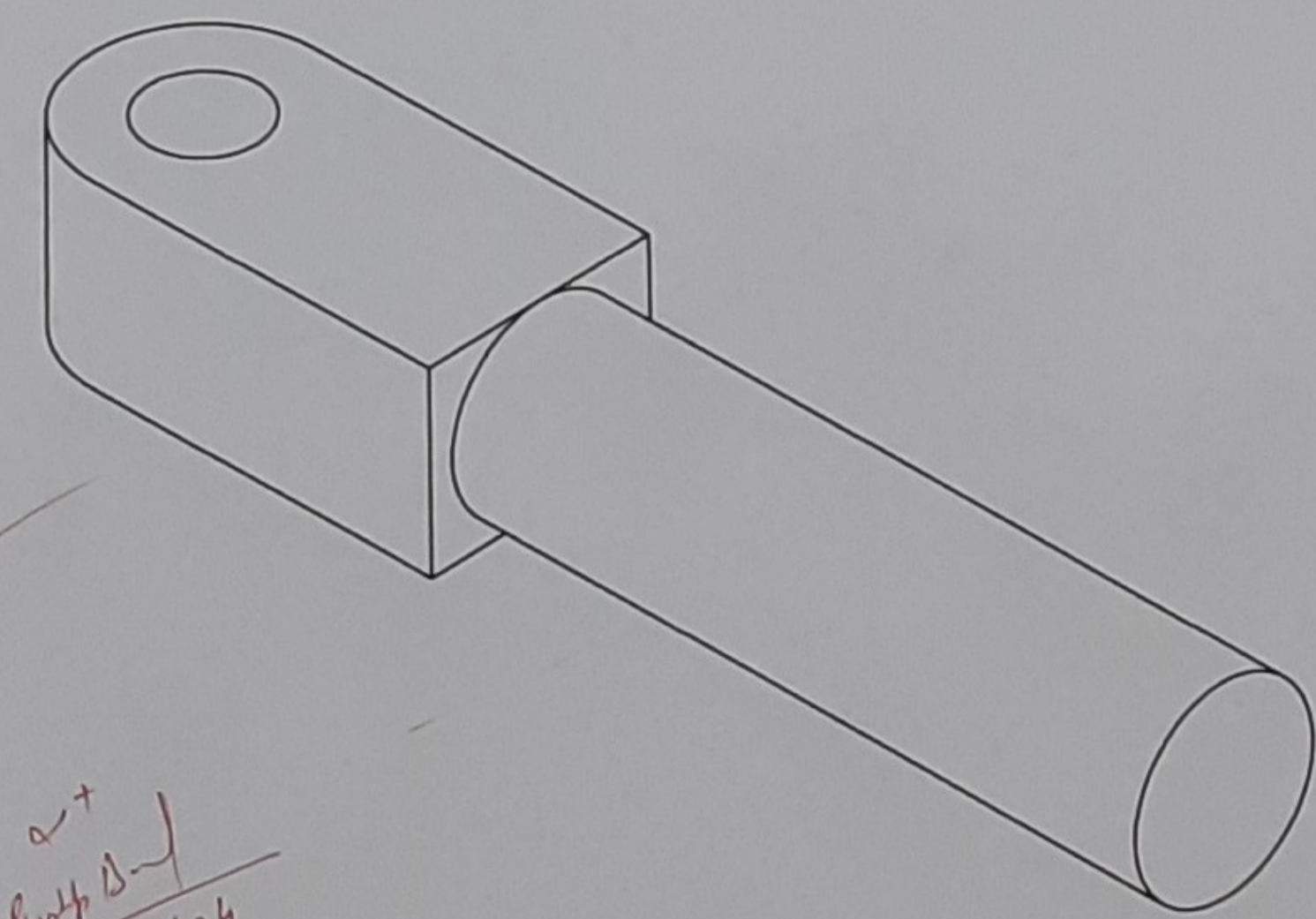
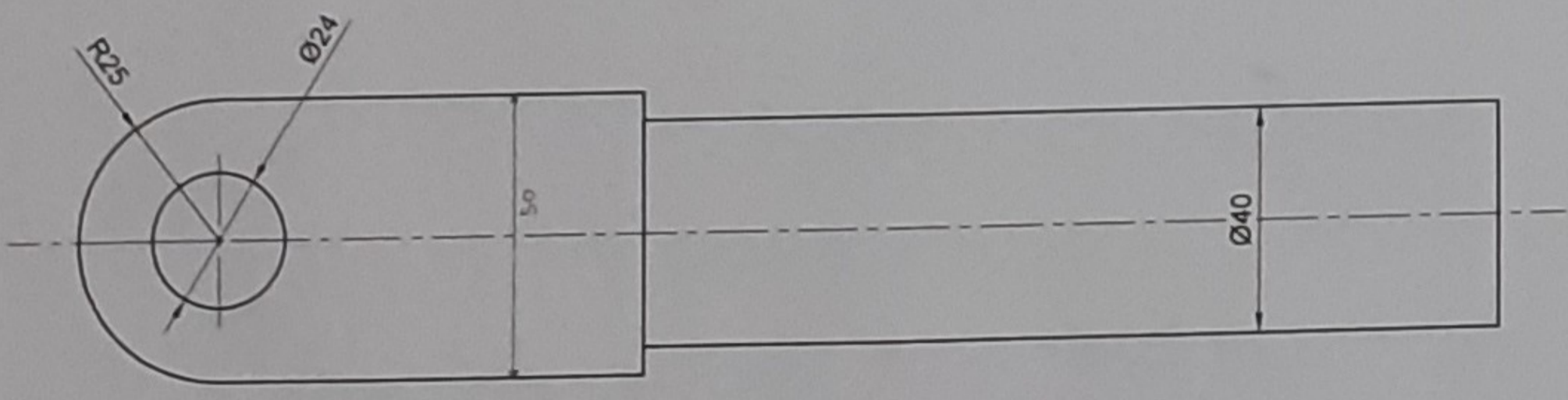
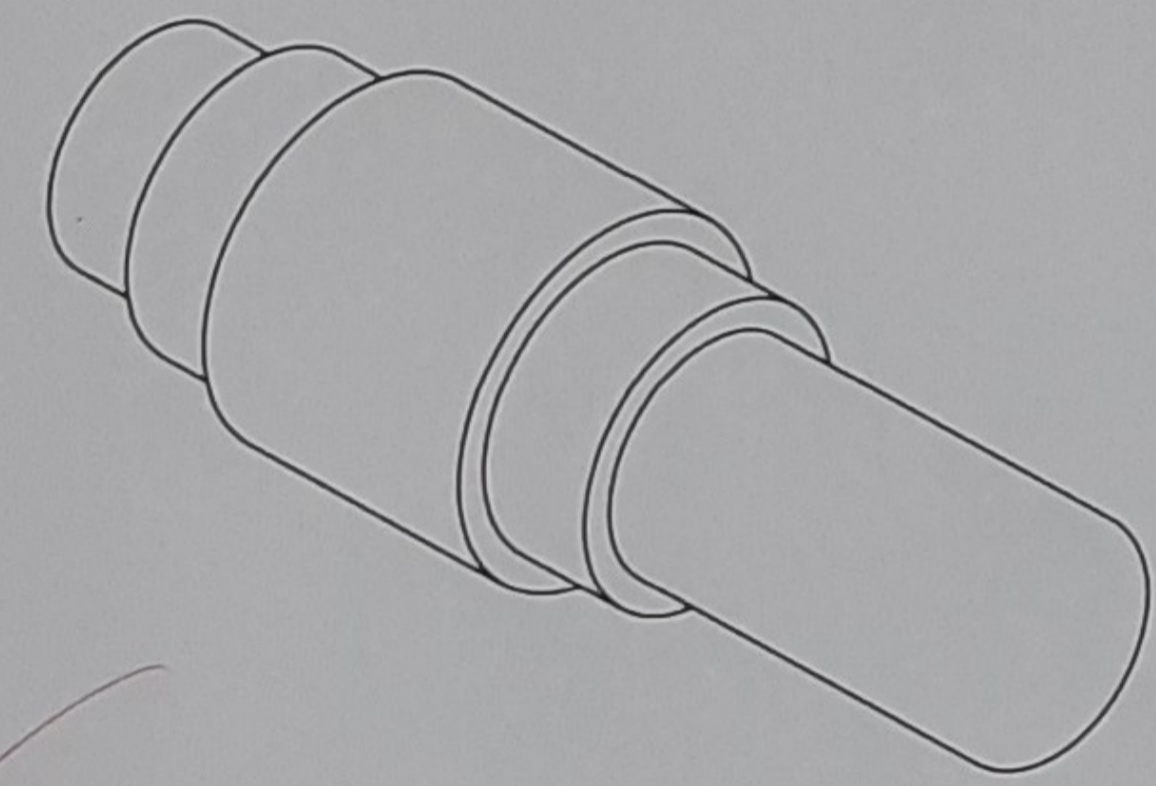
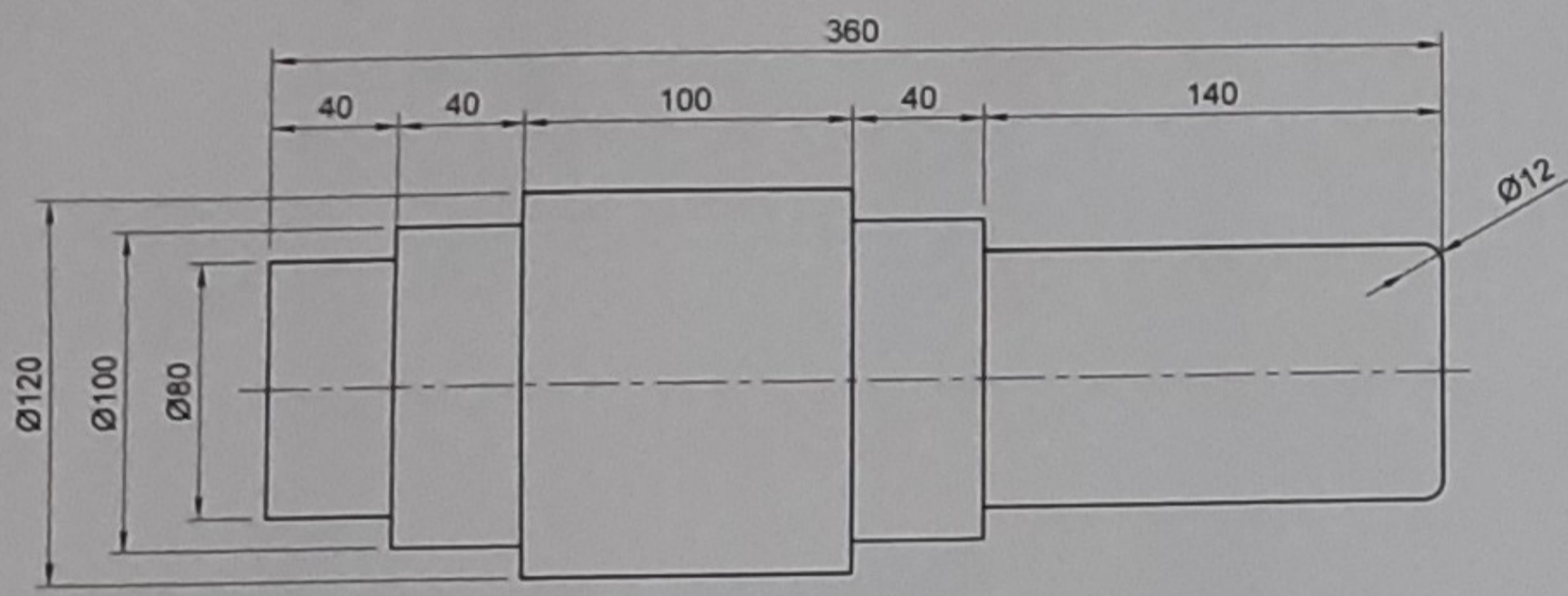
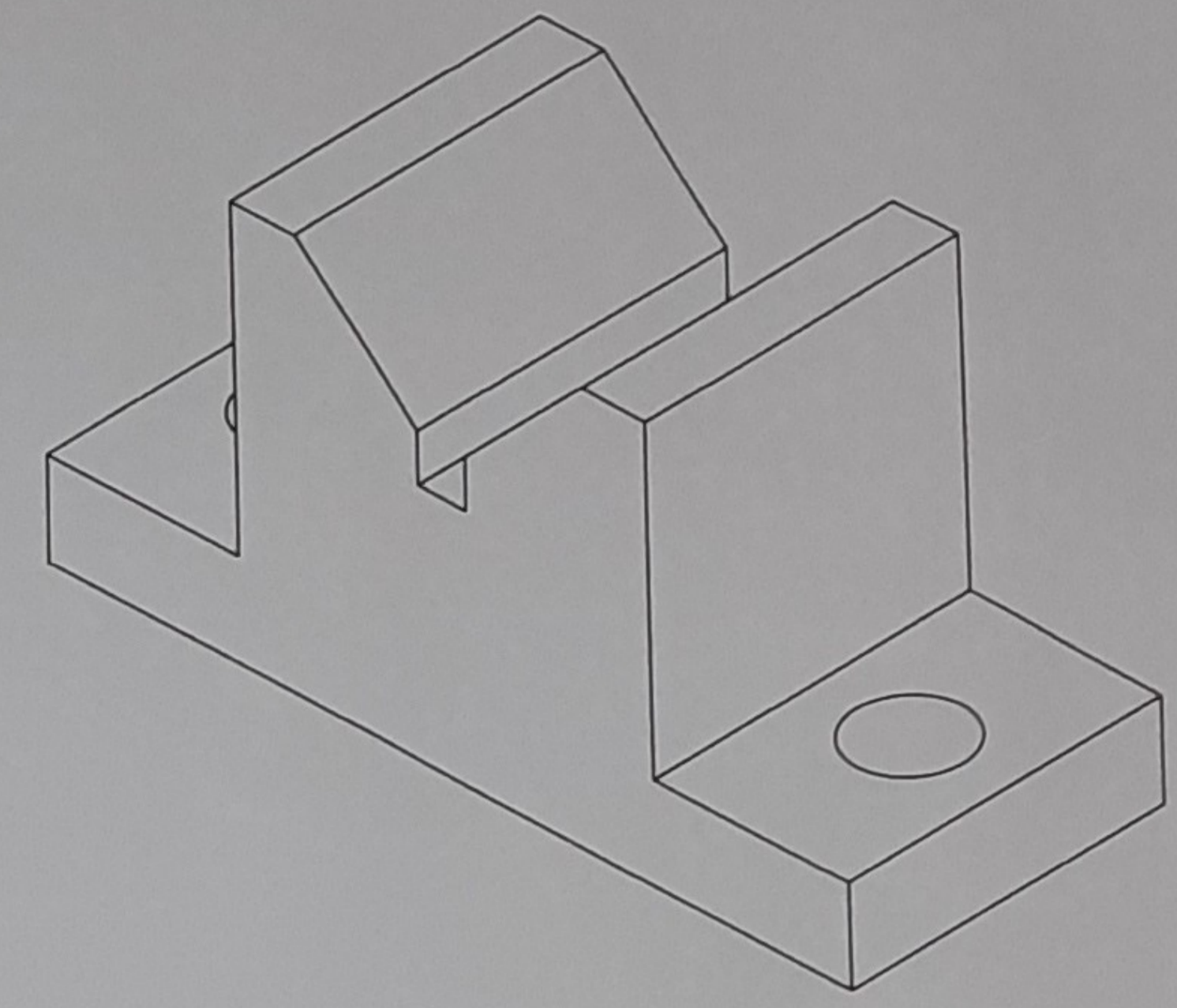
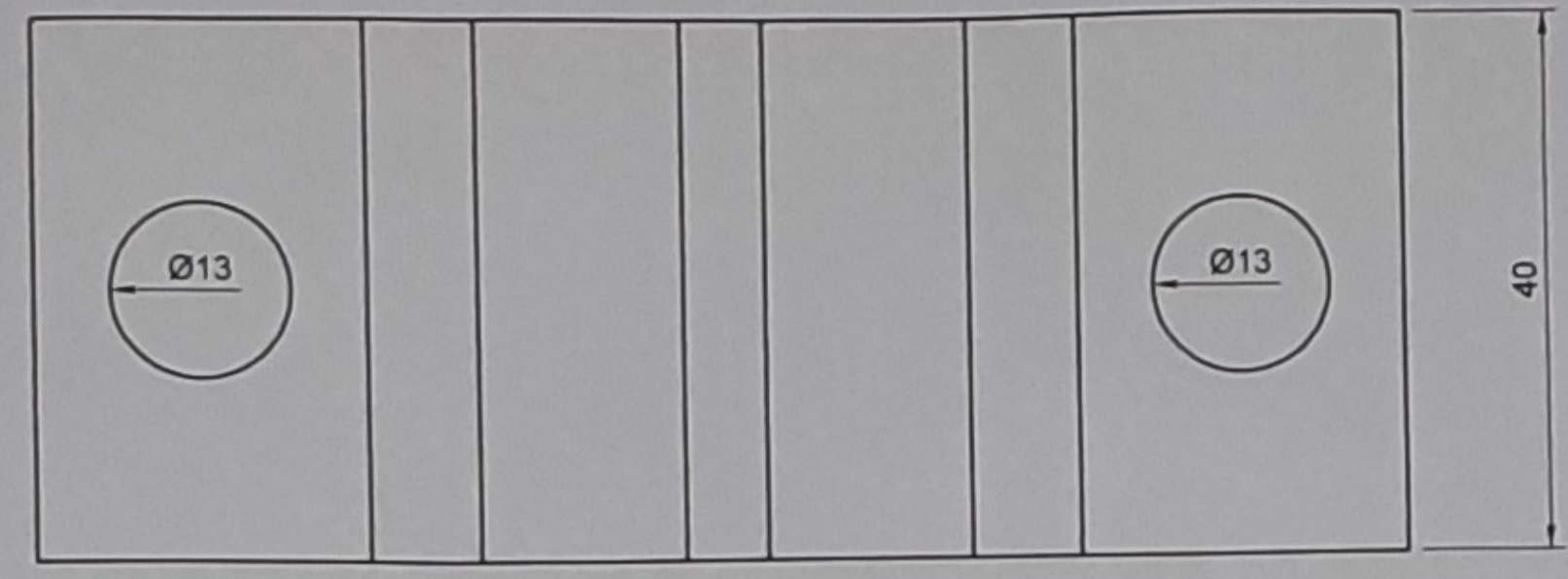
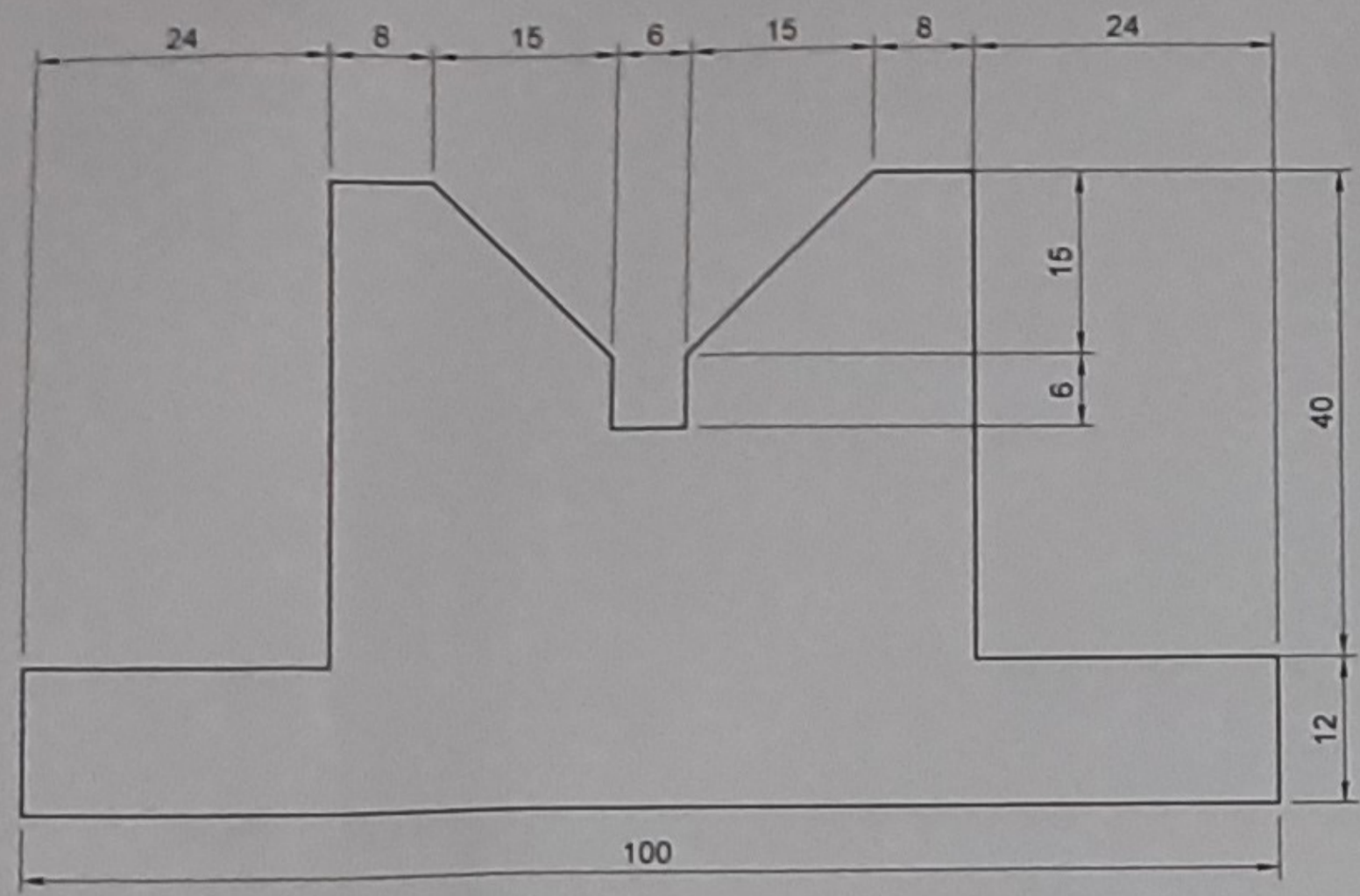
✓
Punit Baghel
16/9/24

Name: SUJAL SINGH	GHSIPU EDC
Class: 110T-01	
Roll no: 0419051723	
Time hrs: 7	
Sheet no: 3	
Scale: mm	ISOMETRIC PROJECTIONS
	Unscale:
	Checked by:



2
Rupam
30/4/24

Name: Sujal Singh	U.G. S.I.P.U. E.D.C.
Class: 1102-01	
Roll no: 0119051723	
Time hrs: 7	Perspective Projection
Scale: mm	
Sheet no: 4	Grade
	Checked by



art
Part B-1
30/4/24

Name: Sujal Singh	GGSIPU EDC
Class: IIOT-B1	
Roll No: 04119051723	
Time Hrs: 2	
Scale: mm	
Sheet No: 5	Three Dimensional Drawings
	Grade:
	Checked By: